

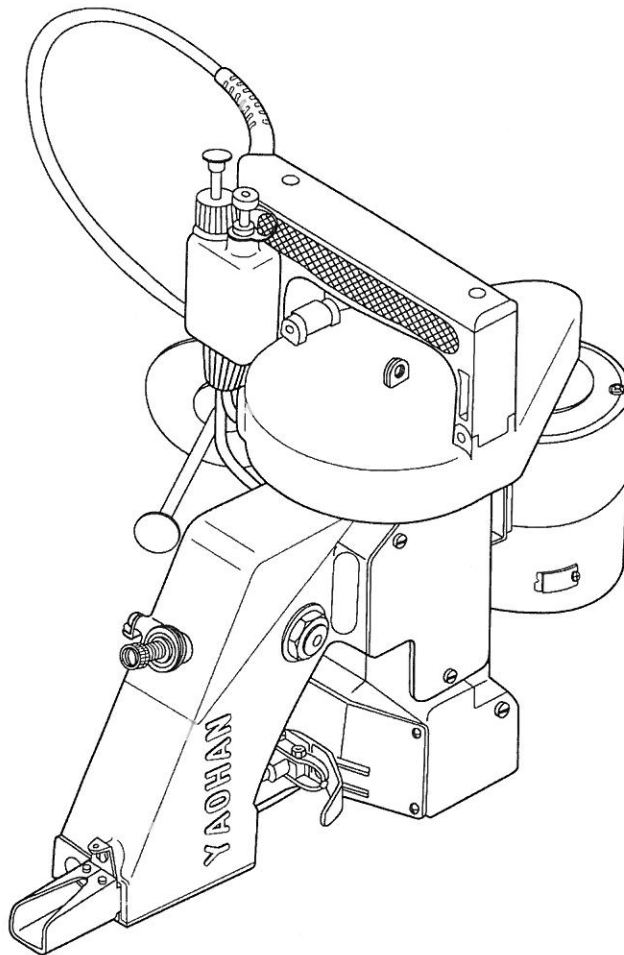
YAO HAN

手提式縫口袋機

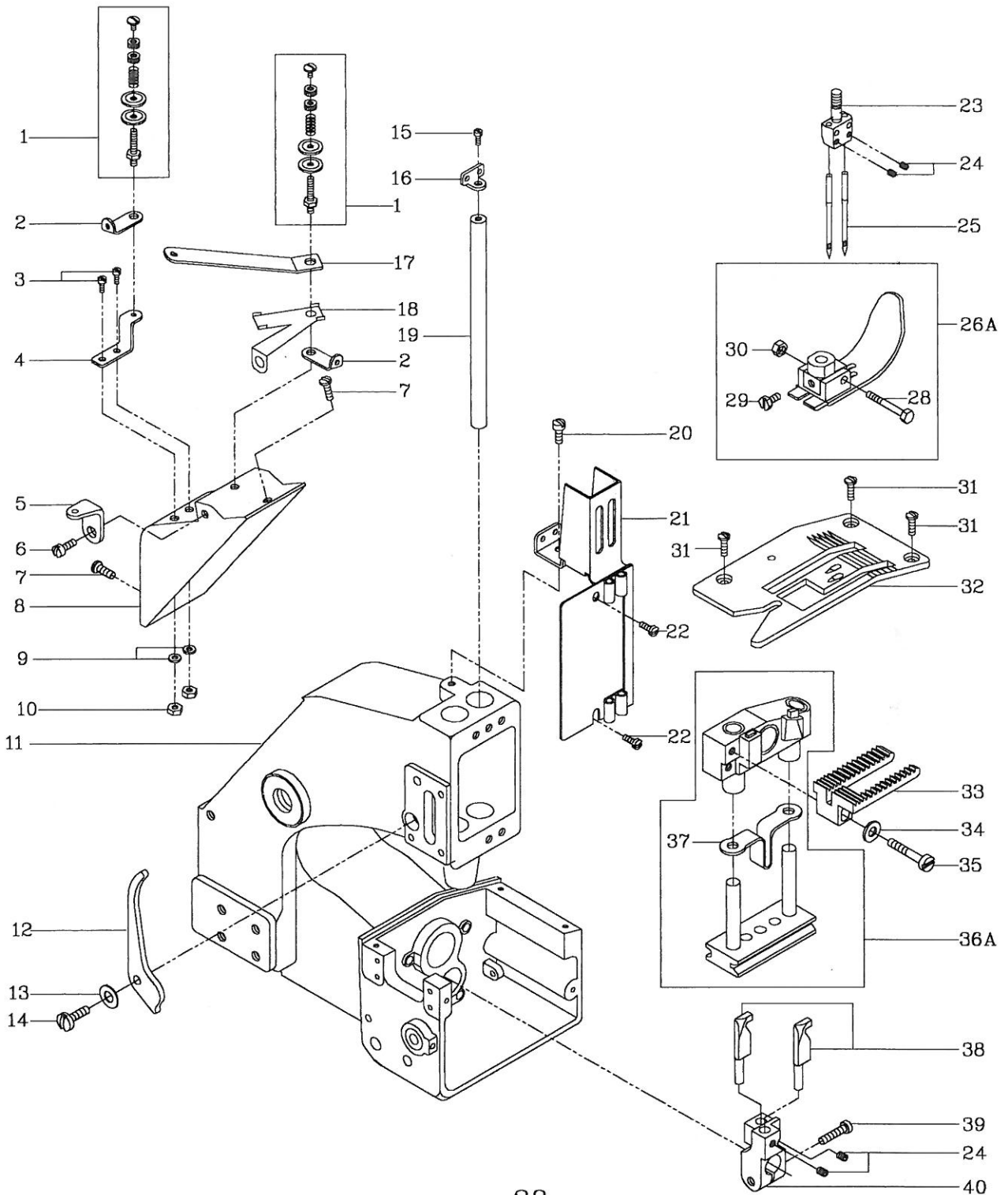
MODEL

N620A (TWO THREAD) 雙線

PARTS CHART 零件圖



耀瀚股份有限公司
YAO HAN INDUSTRIES CO., LTD.



THREAD TENSION, NEEDLE BAR, LOOPER DRIVING AND FEED DRIVING

ITEM NO.	PART NO.	DESCRIPTION	Q'TY	REMARKS
01	6001011	THREAD TENSION ASSEMBLY	2	
02	6001010	THREAD TENSION EYELET	2	
03	6001430	SCREW	2	
04	6203801	THREAD TENSION EYELET	1	
05	6001008	THREAD TENSION EYELET	1	
06	6001009	SCREW	1	
07	6001007	SCREW	1	
08	6203802	TOP COVER	1	
09	6001416	WASHER	2	
10	6001610	NUT	2	
11	6001001-1	MAIN FRAME	1	
12	6203803	PRESSER FOOT LIFTER	(1)	
13	6001448	"O" RING	(1)	
14	6001450	SCREW	(1)	
15	6001009	SCREW	1	
16	6203804	THREAD TENSION EYELET	(1)	
17	6022606	THREAD TENSION EYELET	1	
18	6022602	THREAD TENSION EYELET	1	
19	6203805	NEEDLE BAR	1	
20	6001009	SCREW	1	
21	6203806	NEEDLE BAR GUARD	1	
22	6001023	SCREW	2	
23	6203807	NEEDLE HOLDER	1	
24	6203808	SCREW	4	
25	3001226	NEEDLE	2	
26A	6203809	PRESSER FOOT	1	
28	6001442	SCREW	1	
29	6001444	SCREW	1	
30	6001443	NUT	1	
31	6001007	SCREW	3	
32	6203810	THROAT PLATE	1	
33	6203811	FEED DOG	1	
34	6001416	WASHER	1	
35	6001809	STUD SLIDE BLOCK AJUSTING SUPPORT	1	
36A	6203812	FEED DOG CARRIER BLOCK ASSEMBLY	1	
37	6001803	OIL FELT	1	
38	6203813	LOOPER	2	
39	6001415	SCREW	1	
40	6203814	LOOPER ROCKER	1	



耀 瀚 股 份 有 限 公 司
YAO HAN INDUSTRIES CO., LTD.